

# POWER TRIODE

SHORT FORM SPECIFICATION

# 3CW20000A3

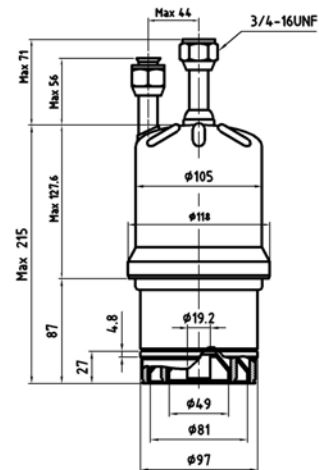
Plate Dissipation (Max.) 20000 W  
 Grid Dissipation (Max.) 250 W  
 Frequency for Max. rating (CW) 110 MHz  
 Amplification Factor 20  
 Filament/Cathode Thoriated Tungsten  
 Voltage 7,5 V  
 Current 99,0 A

Capacitance Grounded Cathode  
 Input 53,0 pF  
 Output 1,4 pF  
 Feed through 34,0 pF

Capacitance Grounded Grid  
 Input pF  
 Output pF  
 Feed through pF

Cooling Water and Forced Air  
 Base Coaxial  
 Air Chimney SK-1300  
 Air Chimney

Length 11,22 in; 285,00 mm  
 Diameter 4,65 in; 118,10 mm  
 Weight 11,5 lb; 5,2 kg  
 Operating Position Vertical, base up or down



Class of Operation	Type of Service	Maximum Ratings			Typical Operation			Output Power (Watts)
		Plate Voltage (Volts)	Plate current (Amps)	Plate Voltage (Volts)	Screen Voltage (Volts)	Plate Current (Amps)	Drive Power (Watts)	
C	Cathode Driven RF Amplifier	7000	4,0	7000	----	4,0	4100	24500
C	Grid Driven RF Amplifier Plate Modulated	5500	3,0	5000	----	3,0	515	12400
C	RF Industrial Oscillator	7000	4,0	7000	----	4,0	----	22400
AB2	Cathode Driven RF Linear Amplifier	7000	5,0	7000	----	4,0	2050	20000



## TUNGSTEN VACUUM ELECTRONICS

Factory: H-2120 Dunakeszi  
Rétipálya

Tel : (36)-27-546-570  
 Fax : (36)-27-546-571

E-mail: [Info@tungsten.hu](mailto:Info@tungsten.hu)  
 Web: [www.tungsten.hu](http://www.tungsten.hu)