

POWER TRIODE

SHORT FORM SPECIFICATION

3CX10000A7/8160

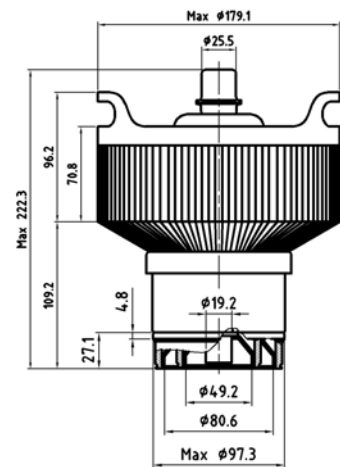
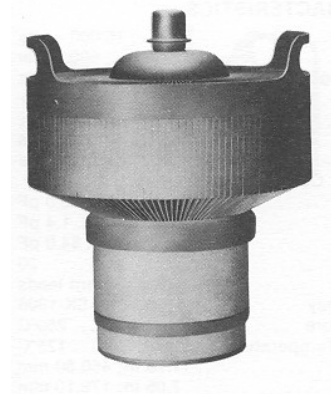
Plate Dissipation (Max.) 10000 W
 Grid Dissipation (Max.) 500W
 Frequency for Max. rating (CW) 160MHz
 Amplification Factor 200
 Filament/Cathode Thoriated Tungsten
 Voltage 7,5 V
 Current 99,0 A

Capacitance Grounded Cathode
 Input 59,0 pF

Output 36,0 pF
 Feed through 0,2 pF
 Capacitance Grounded Grid
 Input 59,0 pF
 Output 0,2 pF
 Feed through 36,0 pF

Cooling Forced Air
 Base Coaxial
 Air Chimney SK-1300
 Air Chimney SK-1306

Length 8,75 in; 222,20 mm
 Diameter 7,05 in; 179,10 mm
 Weight 12,0 lb; 5,5 kg
 Operating Position Vertical, base up or down



Class of Operation	Type of Service	Maximum Ratings			Typical Operation			
		Plate Voltage (Volts)	Plate current (Amps)	Plate Voltage (Volts)	Screen Voltage (Volts)	Plate Current (Amps)	Drive Power (Watts)	Output Power (Watts)
C	Cathode Driven RF Amplifier	8000	4,0	7600	----	3,7	1510	22500
C	Grid Driven RF Amplifier Plate Modulated	6500	3,0	5000	----	3,0	380	11900
AB2	Cathode Driven RF Amplifier	8000	5,0	7000	----	5,0	150	24200
AB2	Cathode Driven RF Linear Amplifier AF Service	8000	5,0	7000	----	10,0	330	5600
AB2	Grid Driven AF Amplifier or Modulator (2 tubes)	8000	5,0	7000	----	10,0	560	47700



TUNGSTEN VACUUM ELECTRONICS

Factory: H-2120 Dunakeszi
 Rétipálya

Tel : (36)-27-546-570
 Fax : (36)-27-546-571

E-mail: Info@tungsten.hu
 Web: www.tungsten.hu